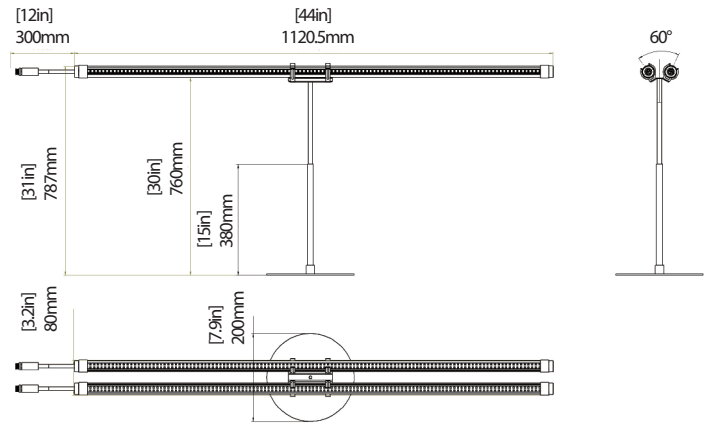
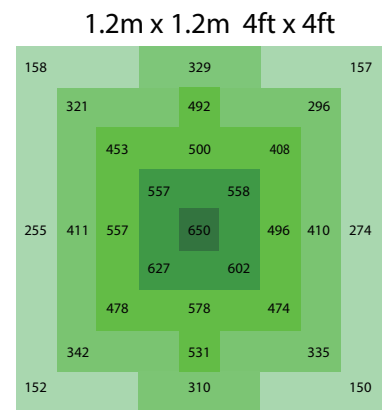


# Under Canopy Light Panels

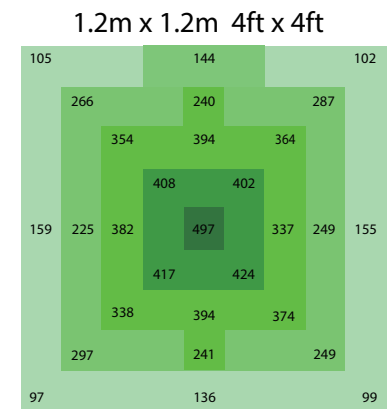


SKU PA-1-300-GM-120-T8

Power Consumption	320Watts /308Watts (initial/holding)
HPS Equivalent (wattage)	600 Watts
Input Voltage	Autosensing 100-277Vac,50/60HZ
Maximum Environmental Operating Temperature	Normal Upto to 95 Degree F; 12 Hours Upto to 130 Degree F
Typical Current	1.13A (@277V) 1.33A (@240V) 1.51A (@208V) 2.68A (@120V)
Power Factor	>94%
Lumen/watts	172.6
PPE(μmol/J)	3.0
PPF(μmol/s)	910
Light Distribution	120°
Dimming	0-10v
Lifespan	L70>150,000hrs
Controlled Environment	Indoor (Non-stacked), Indoor (Stacked), Greenhouse
Total Number of LEDs	256LEDs x 10
Luminaire Weight	3.4kg(7.5 lbs)
Power Driver Weight	1.2kg(2.6lbs)
Dimensions (inches)	44"L x 3.2"W x (30-15)"H
Certifications	UL 8800 Damp Location Rating & IP 66 Full Fixture CSA ETL and CE DLC



PA-1-GM-320-120-T8A 320W  
3" 7.6cm



PA-1-GM-320-120-T8A 320W  
6" 15cm

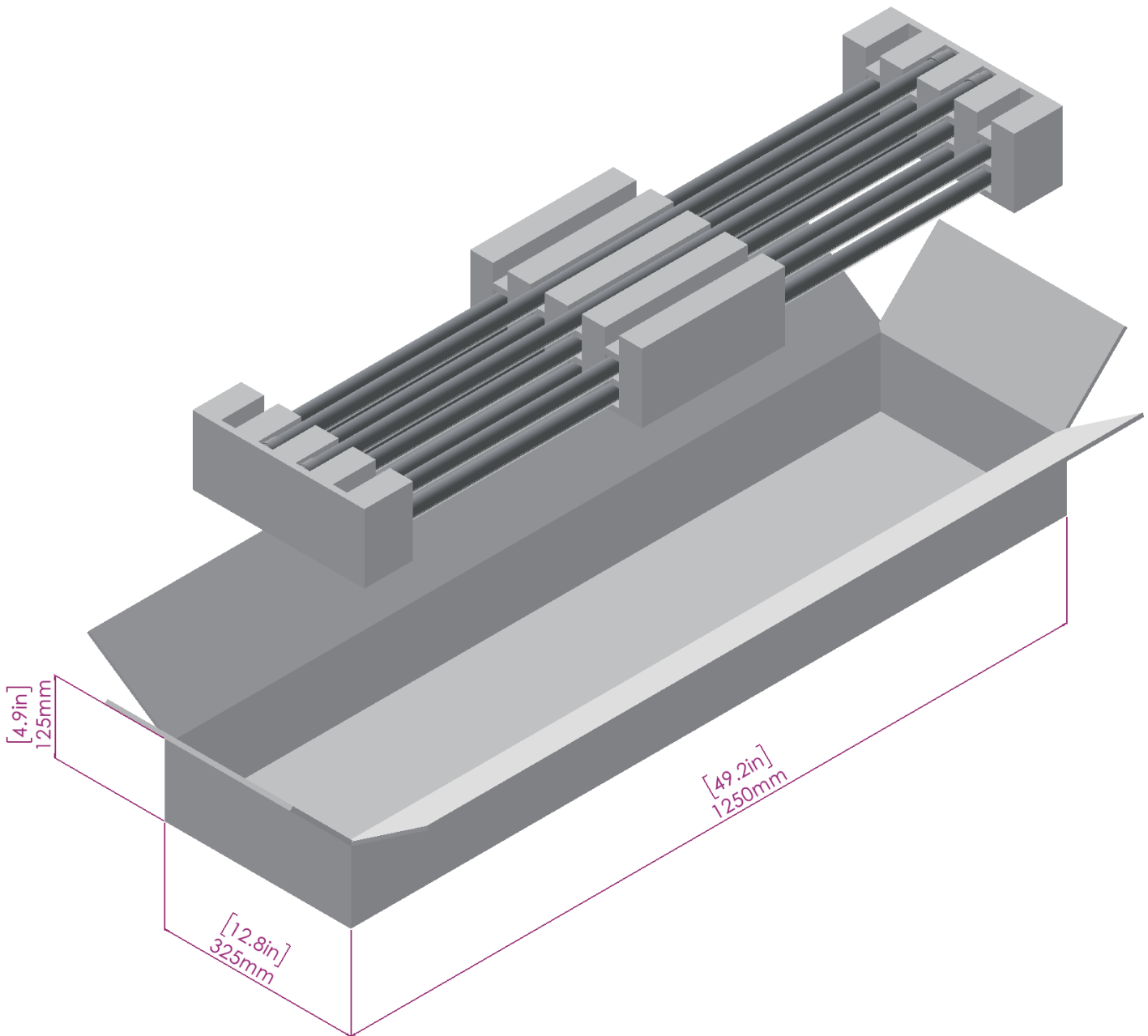


Family	Input Voltage	Input Power	Spectrum	Angle Distribution	DC Extension	AC Plug	Mounting
PA	1 100-277V	300 300W	GM	120	05 16ft(5m) 10 32ft(10m) 20 64ft(20m)	N5 NEMA 5-15P N6 NEMA 6-15P L7 NEMA L7-15P	F Std. frame C Custom

# Under Canopy Light Panels

## Annex 1: Packaging

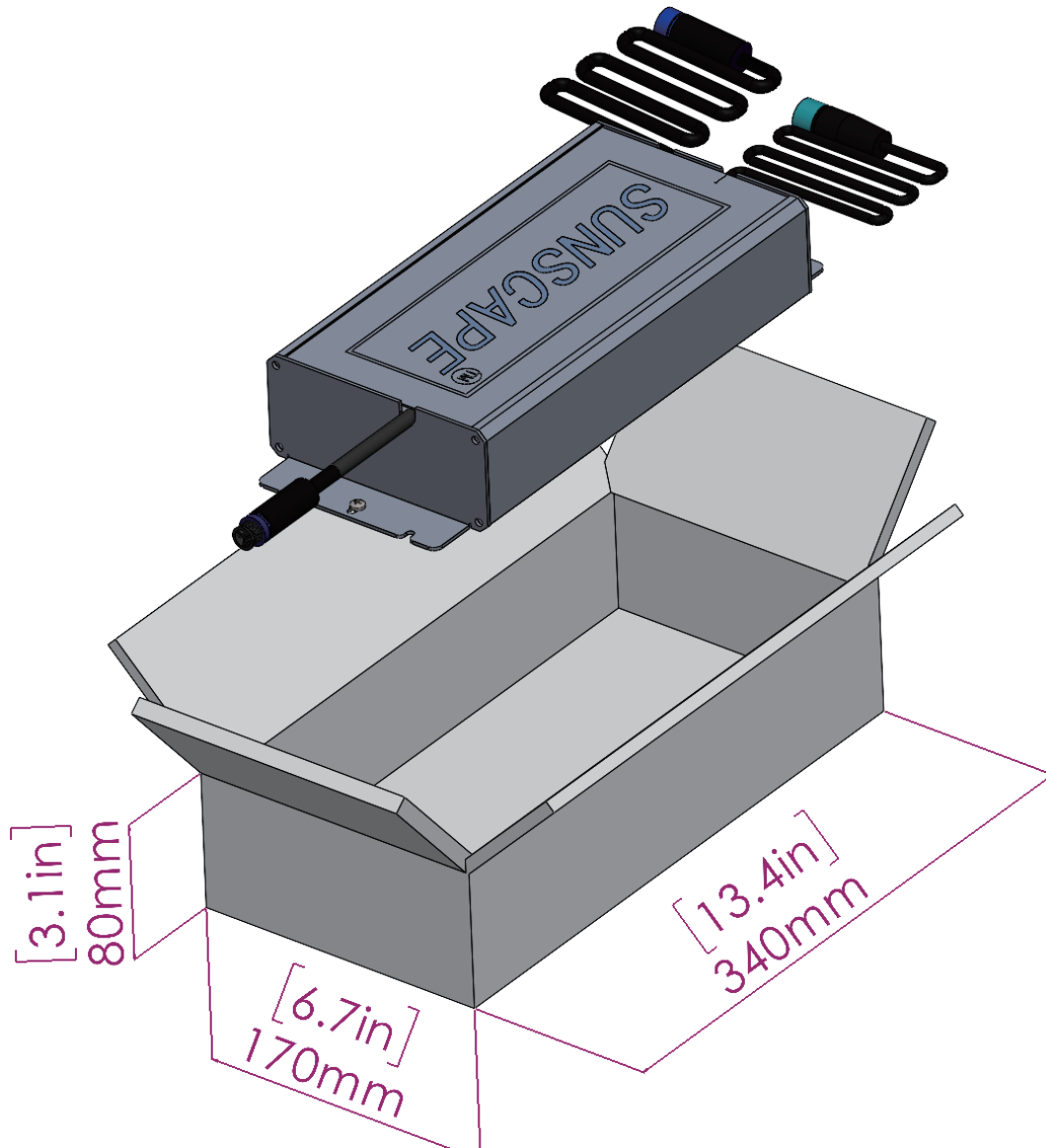
Luminaire Packaging Weight: 3.9kg(8.6lbs)



# Under Canopy Light Panels

## Annex 2: Packaging

Power Packaging Weight: 1.7kg(3.7lbs)



# Under Canopy Light Panels

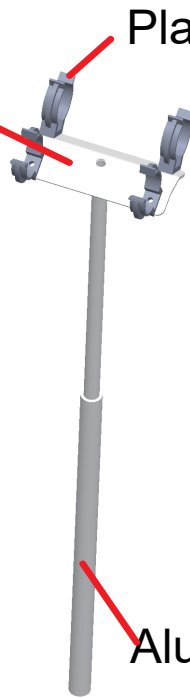
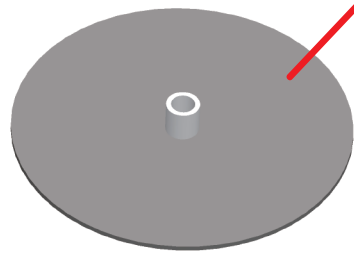
## Annex 3: Packaging

Holder Packaging Weight: 5kg(11lbs)

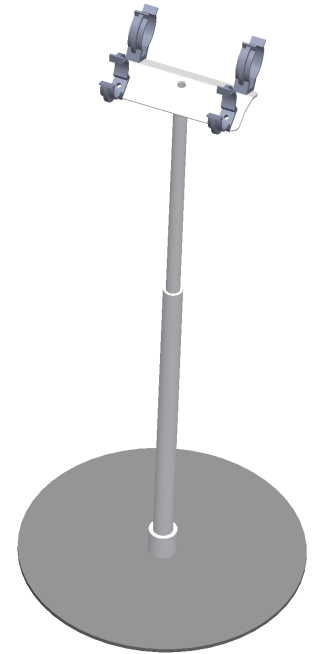
### Lamps - Bracket Accessories and Assembly

2mm Thickness 304  
Stainless steel

3mm Thickness 304  
Stainless steel



Plastic-coated lamp clip



Aluminum alloy

### Lamp installation method 3: 2x5 sets of lamp tubes installed under plants 6x0.4x1.2m

