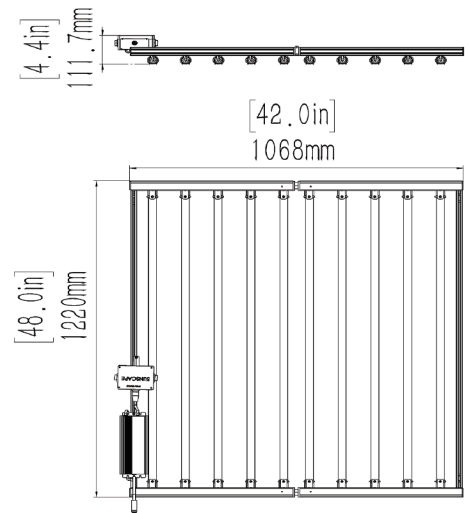
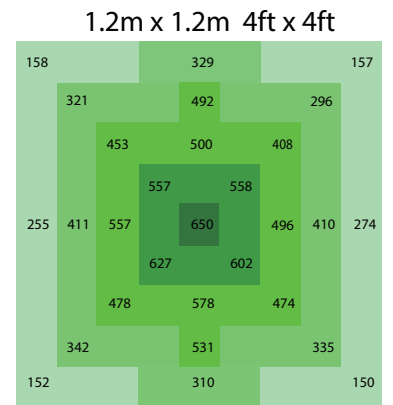


# Saber PRO Light Panels

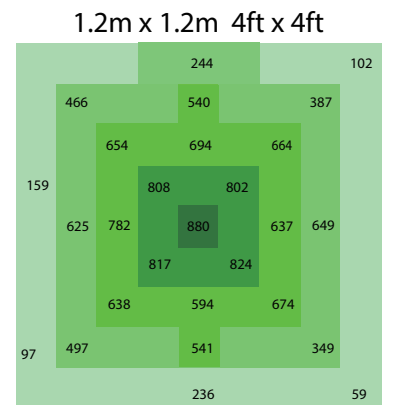


SKU PA-1-300-GM-120-T8

Power Consumption	320Watts /308Watts (initial/holding)
HPS Equivalent (wattage)	600 Watts
Input Voltage	Autosensing 100-277Vac,50/60HZ
Maximum Environmental Operating Temperature	Normal Upto to 95 Degree F; 12 Hours Upto 130 Degree F
Typical Current	1.13A (@277V) 1.33A (@240V) 1.51A (@208V) 2.68A (@120V)
Power Factor	>94%
Lumen/watts	172.6
PPF/J	3.0
Photon flu(umol/s)	900
Light Distribution	120°
Dimming	0-10v
Light Management	L70>150,000hrs
Controlled Environment	Indoor (Non-stacked), Indoor (Stacked), Greenhouse
Total Number of LEDs	256 LEDs x 10
Luminaire Weight	7.3kg(16.1 lbs)
Power Driver Weight	2kg(4.4lbs)
Dimensions (inches)	48"L x 42"W x 4.4"H
Certifications	UL 8800 Damp Location Rating & IP 66 Full Fixture CSA ETL and CE DLC



PA-1-GM-320-120-T8A 320W  
12" 30cm



PA-1-GM-320-120-T8A 320W  
6" 15cm



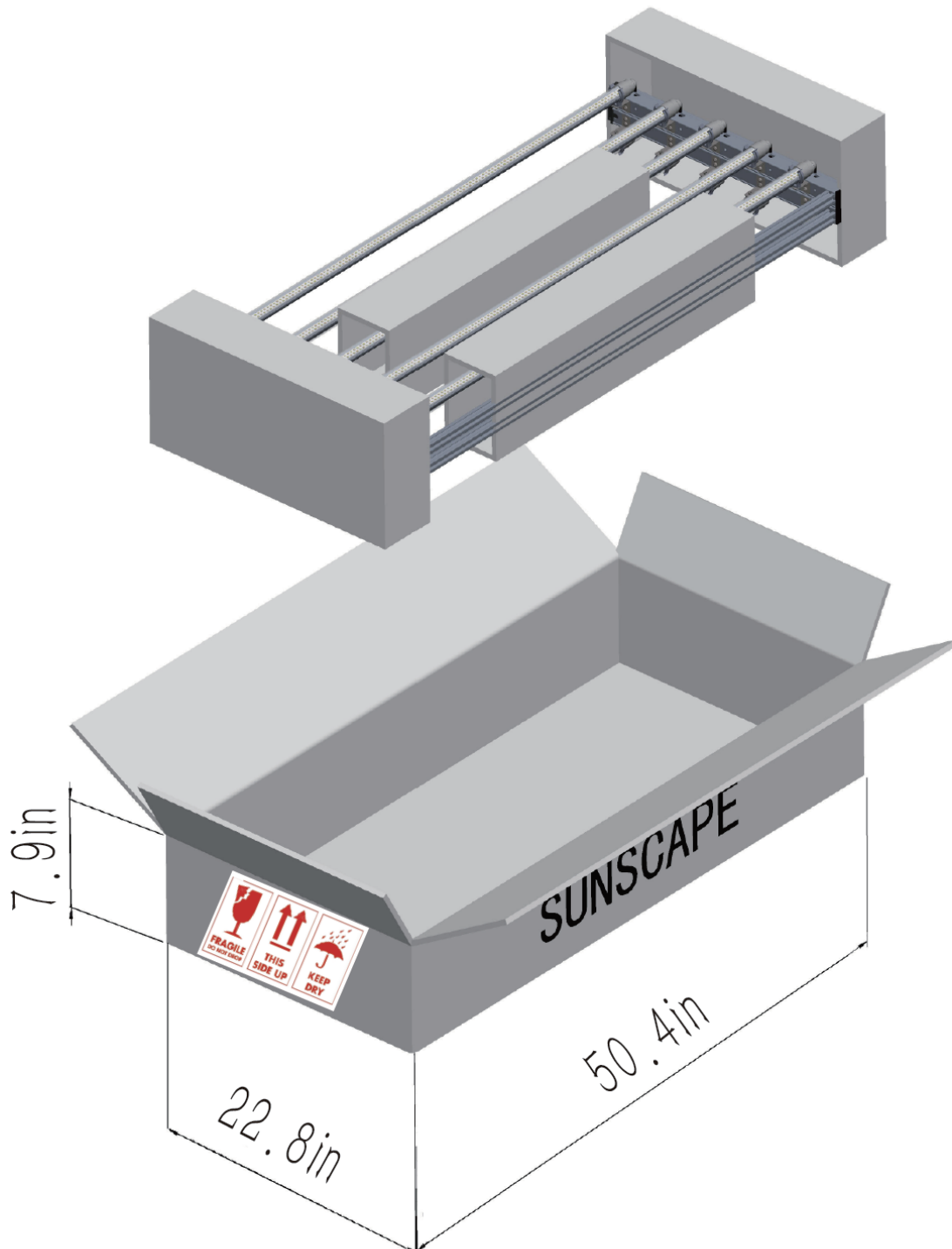
Family	Input Voltage	Input Power	Spectrum	Angle Distribution	DC Extension	AC Plug	Mounting
PA	1 100-277V	300 300W	GM	120	05 16ft(5m) 10 32ft(10m) 20 64ft(20m)	N5 NEMA 5-15P N6 NEMA 6-15P L7 NEMA L7-15P	F Std. frame C Custom

## Saber PRO Light Panels

# Annex 1: Packaging

Weight: 9.7kg(21.4lbs)

Luminaire Packaging Weight: 9.7kg(21.4lbs)



# Saber PRO Light Panels

## Lamp accessory package

### 4:Lamp hook A - 4 pcs

